

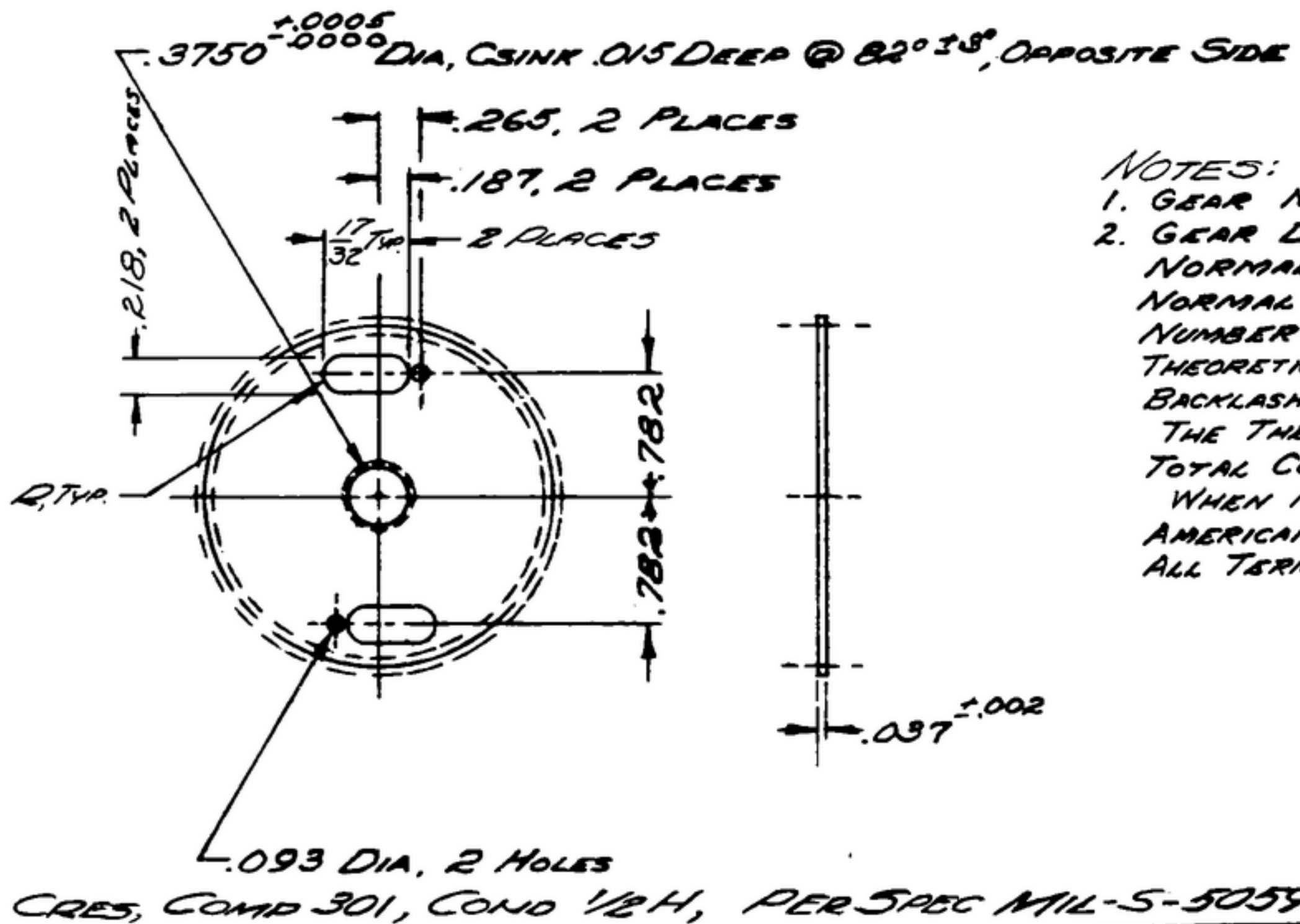
NOTICE: WHEN GOVERNMENT DRAWINGS, SPECIFICATIONS, OR OTHER DATA ARE USED FOR ANY PURPOSE OTHER THAN IN CONNECTION WITH A SPECIFICALLY RELATED GOVERNMENT PROCUREMENT OPERATION, THE UNITED STATES GOVERNMENT THEREBY ASSUMES NO RESPONSIBILITY FOR ANY OMISSION WHATSOEVER AND THE FACT THAT THE GOVERNMENT MAY HAVE FORMULATED, FURNISHED, OR IN ANY WAY SUPPLIED THE SAID DRAWINGS, SPECIFICATIONS, OR OTHER DATA IS NOT TO BE REGARDED BY IMPLICATION OR OTHERWISE AS IN ANY MANNER LICENSEING THE HOLDER OR ANY OTHER PERSON OR CORPORATION, OR CONFERRING ANY RIGHTS OR PERMISSIONS TO MANUFACTURE, USE, OR SELL ANY PATENTED INVENTION THAT MAY IN ANY WAY BE RELATED THERETO.

THIS DOCUMENT HAS BEEN PURCHASED BY THE GOVERNMENT AND MAY BE REPRODUCED AND USED IN CONNECTION WITH ANY GOVERNMENT PROCUREMENT OR MAINTENANCE OPERATION.

* FOR INFORMATION ONLY. CONTRACTOR MAY AT HIS OPTION DEVIATE FROM THESE PROCESS DETAILS.

~~X SWE APPROVAL~~
~~SYM PR 10042-2~~

| REVISIONS | | | |
|-----------|---------------------|-----------|--------------------------------------|
| SYM | DESCRIPTION | DATE | APPROVAL |
| A | A, COMP 301 WAS 302 | 10 OCT 59 | 4242B-PC 59-AI-51 REV'D PME |



NOTES:
1. GEAR MUST BE FLAT WITHIN .008 T.I.R.
2. GEAR DATA:
NORMAL DIAMETRAL PITCH 32
NORMAL PRESSURE ANGLE 20°
NUMBER OF TEETH 68
THEORETICAL PITCH DIAMETER 2.125
BACKLASH .0015 TO .0025 WHEN REFERRED TO THE THEORETICAL PITCH CIRCLE.
TOTAL COMPOSITE ERROR NOT TO EXCEED .003 WHEN MEASURED WITH MASTER GEAR.
AMERICAN STANDARD INVOLUTE TOOTH FORM.
ALL TERMS USED AS DEFINED BY A.G.M.A. STANDARDS.

| COLLINS PART NO. | ITEM | REQD | PART NO. | DESCRIPTION | MATL | MATL SPEC |
|--------------------------------------|------|------|----------|-------------|------|-----------|
| LIST OF MATERIAL | | | | | | |
| COLLINS PART NO. <i>558-0250-002</i> | | | | | | |

| | | | | | | | | | | | | | | |
|--|--|--|----------------------------|--|--|--------------|--|--|--|--|--|--|--|--|
| DRAWN <i>RDG</i> | | | CHECKED <i>Williams</i> | | | APPROVED | | | COLLINS RADIO CO. CEDAR RAPIDS, IOWA <i>14214-PH-51-93</i> | | | DEPARTMENT OF THE ARMY SIGNAL CORPS ENGINEERING LABORATORIES FORT MONMOUTH NEW JERSEY | | |
| UNLESS OTHERWISE SPECIFIED: DECIMAL DIMENSIONS INCLUDING HOLE SIZES MAY VARY ±.008 FRACTIONAL DIMENSIONS INCLUDING HOLE SIZES MAY VARY ±1/64 MACHINED ANGLES MAY VARY ±.1° SHEARED ANGLES MAY VARY ±.25° BROKEN ANGLES MAY VARY ±1° ECCENTRICITY BETWEEN ANY DIAMETERS ON THE SAME CENTERLINE SHALL NOT EXCEED .010 TOTAL INDICATOR READING. ALL DIMENSIONS ARE FINISH DIMENSIONS INCLUDING APPLIED FINISH AND ARE GIVEN IN INCHES. | | | | | | | | | SIGNAL CORPS | | | | | |
| 558-0293002-1 | | | SM-B-248901 | | | SC-DL-248775 | | | REVIEWED <i>PME</i> | | | | | |
| COLLINS NO. | | | NEXT ASSY | | | USED ON | | | APPROVED <i>HLV</i> <i>PME</i> | | | SM-B-248901 | | |
| APPLICATION | | | | | | | | | DATE <i>7 DEC 1955</i> | | | | | |